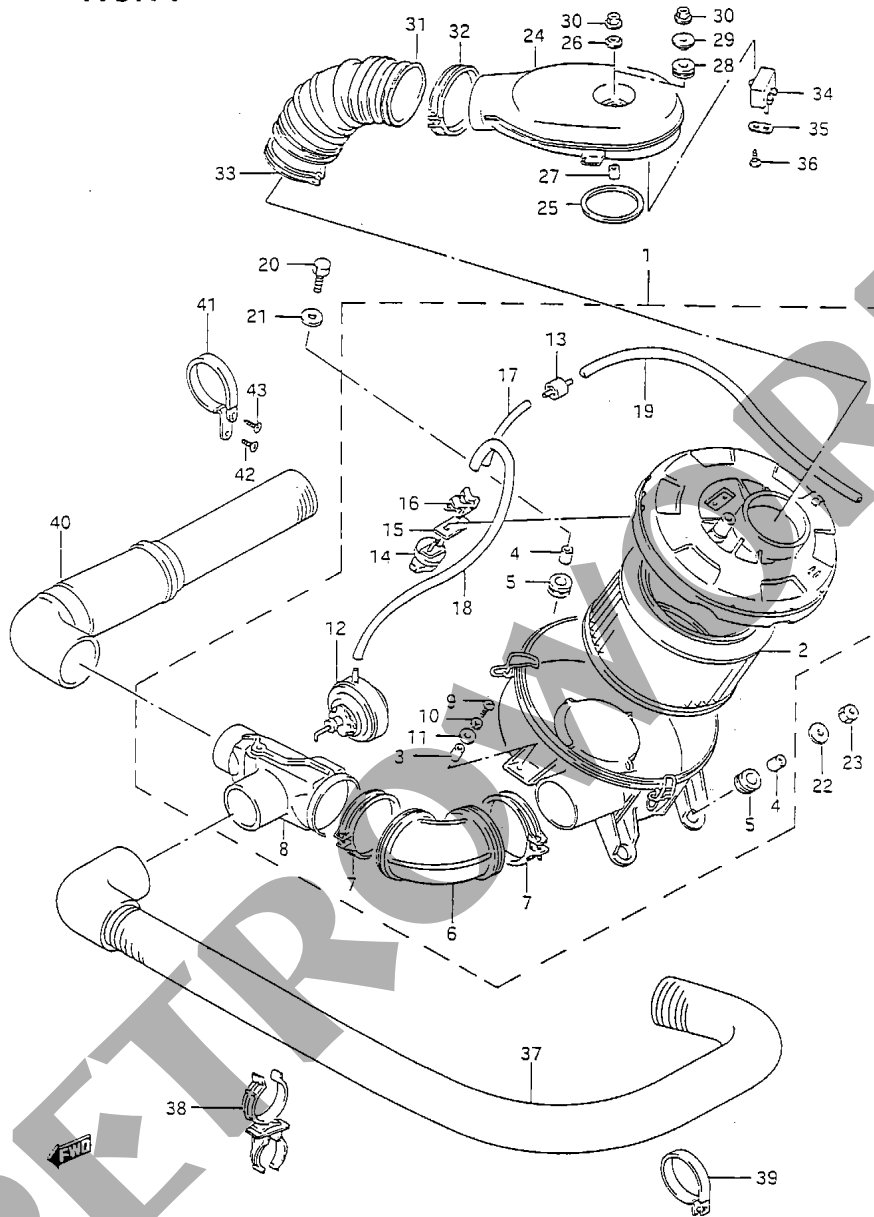


Air Cleaner
Figure 11



SAMURAI E33

Petroworks Modification Tip

If you have a 3" body lift (we do not recommend) you may notice that the Air Cleaner Outlet Hose gets bent at a severe angle that restricts the air supply to the carburetor. Petroworks has a 3" extension that fits between the carburetor and the Air Intake Case to correct this problem.