

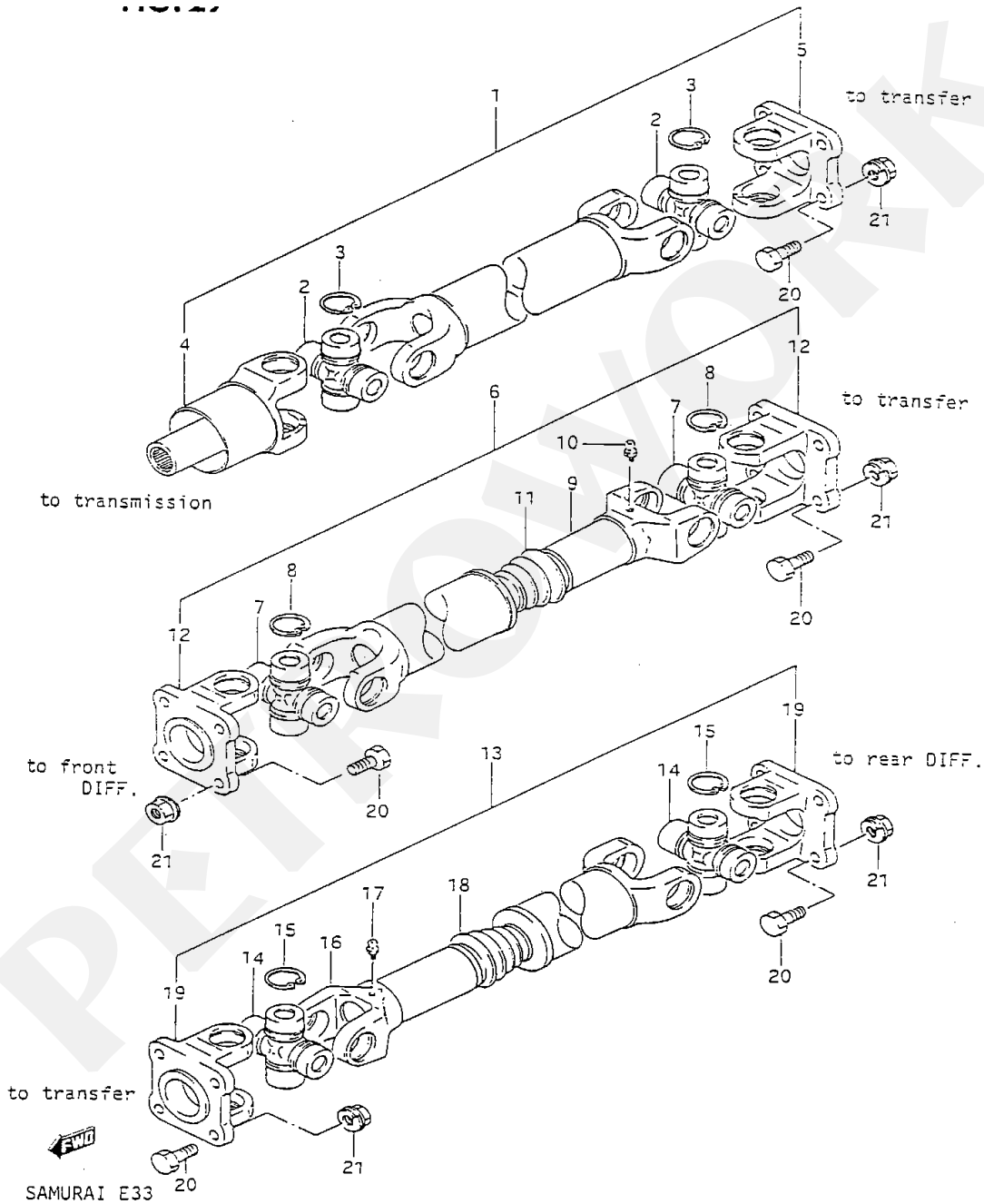


PETROWORKS

OFF-ROAD PRODUCTS

www.petroworks.com

Driveshafts Figure 27



Technical Note:

The only way to check for a bad "U" joint in a Suzuki is to remove the shaft and carefully inspect the joint. The intermediate shaft "U" joint is notorious for going bad.