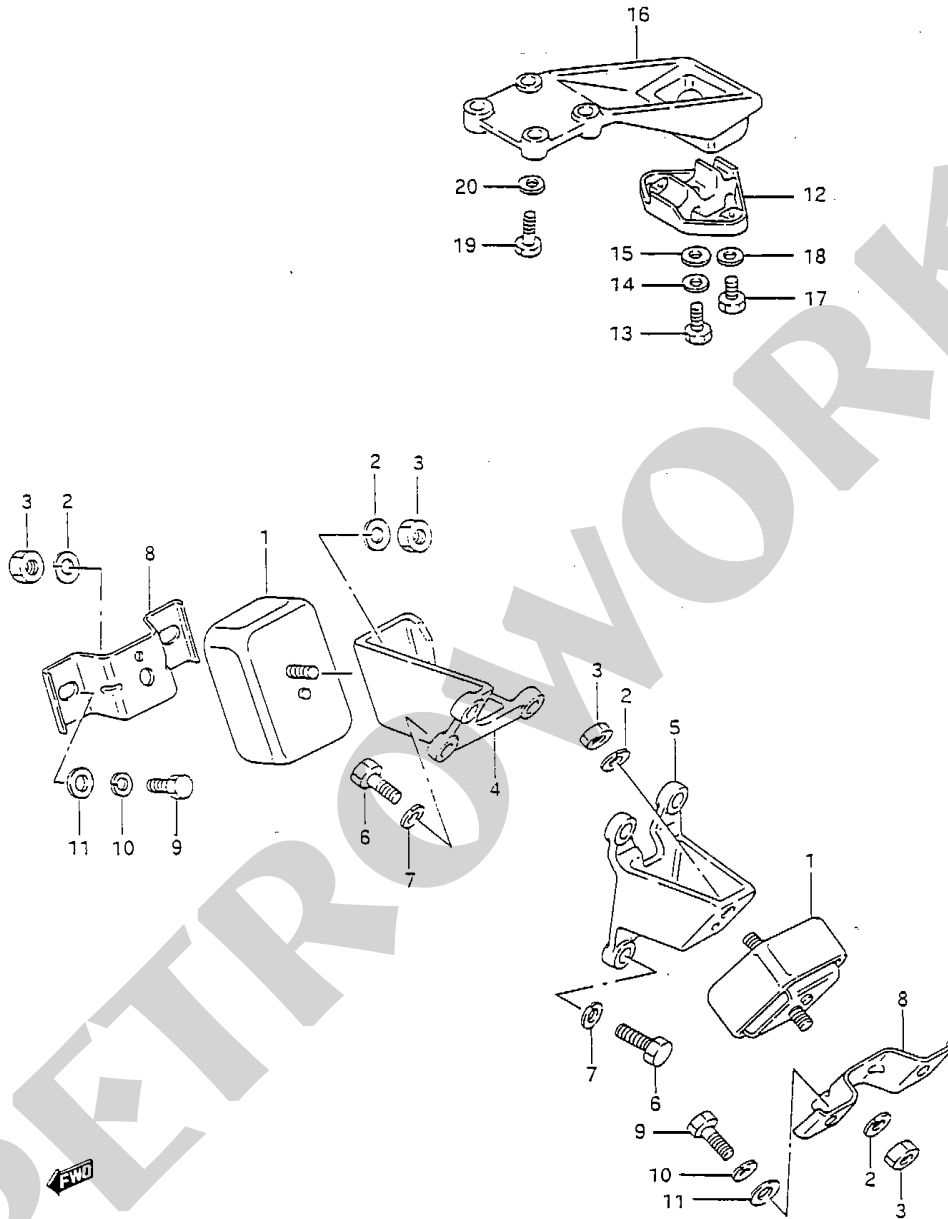


Engine Mounting Figure 5



SAMURAI E33

Petroworks Maintenance Tip

The drivers (torque) side engine mount is often broken on older Samurais.

A bad rear engine mount (Part 12) often causes vibrations felt during hard acceleration.