

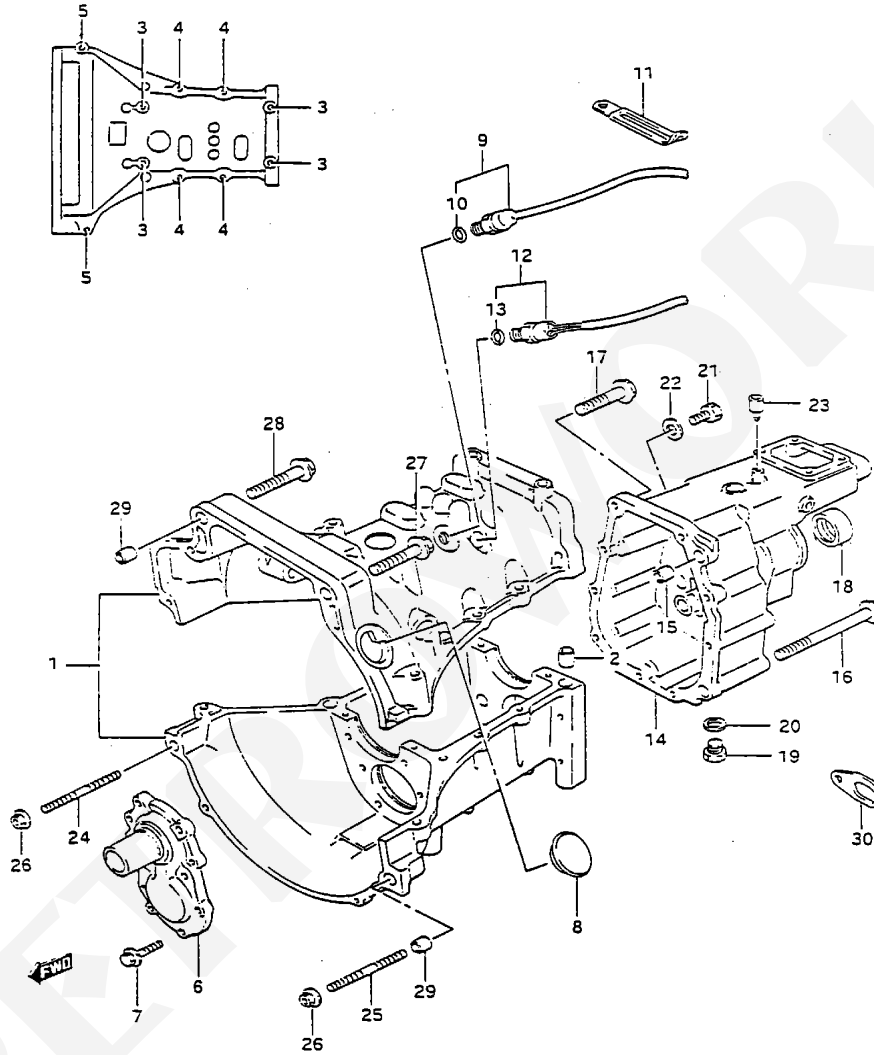


PETROWORKS

OFF-ROAD PRODUCTS

www.petroworks.com

Transmission Case Figure 24



SAMURAI E33

Is your clutch a little rough during engagement? Petroworks offers a Bearing Retainer conversion to help smooth out this problem. We take "Item 6" and machine down the surface smooth then press on a machined brass sleeve to help eliminate this problem and smooth things out. TRM-0625 Front Bearing Retainer.