

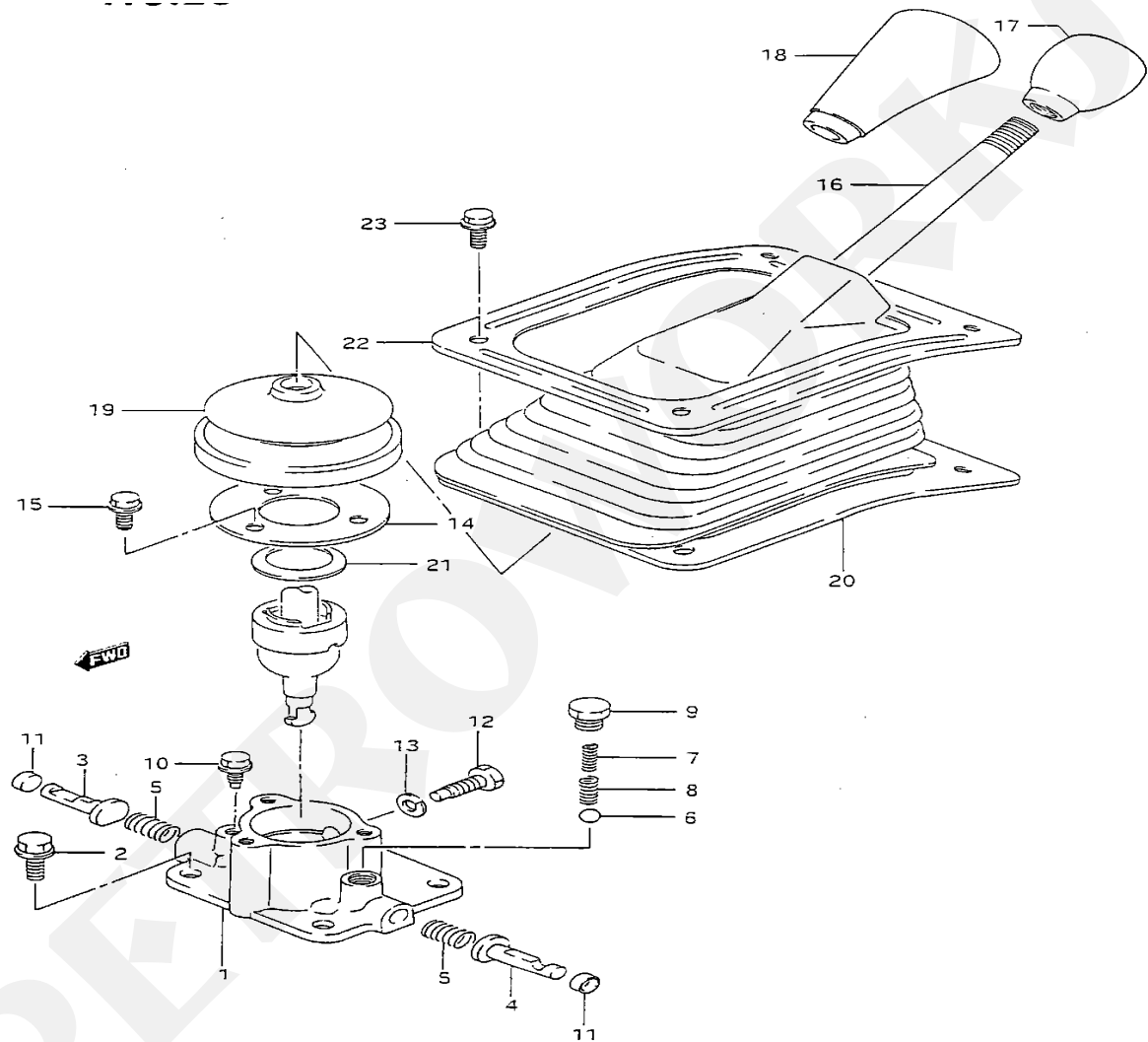


PETROWORKS

OFF-ROAD PRODUCTS

www.petroworks.com

Transmission Shifter Figure 26



SAMURAI E33

Does your shifter feel like it is going to shift out of the passenger door? Well Part Number 12 is very infamous for breaking. But it is a quick and easy fix with our Sloppy Shifter Fix kit. We also sell all the other components pictured.

<http://www.petroworks.com/Products.php?Action=ViewProduct&ProductID=111>