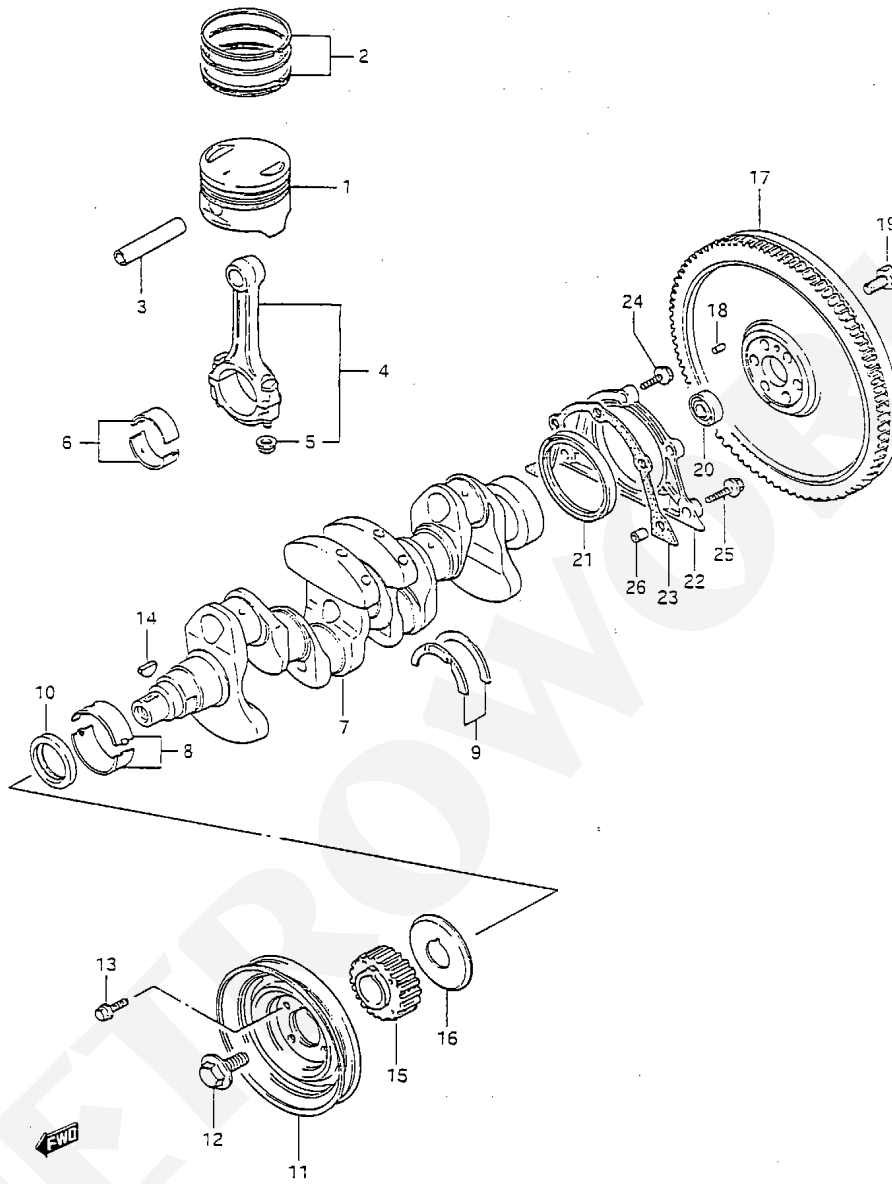


# Crankshaft

## Figure 6



SAMURAI E33