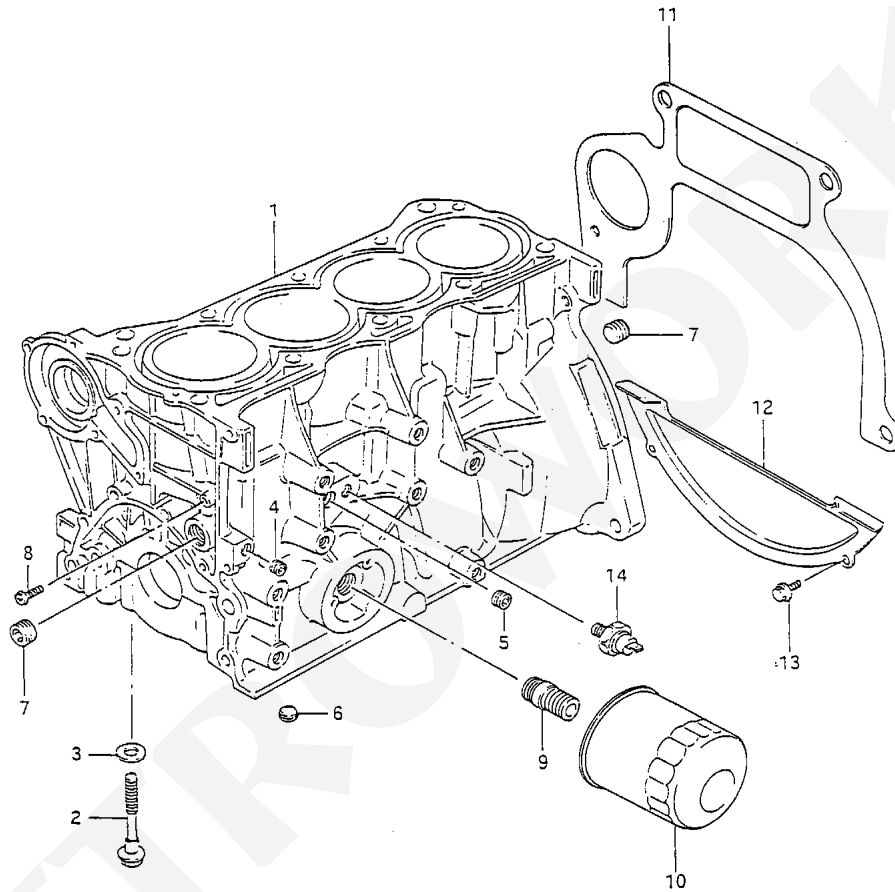


# Cylinder Block Figure 3

FIG.3



  
SAMURAI E33