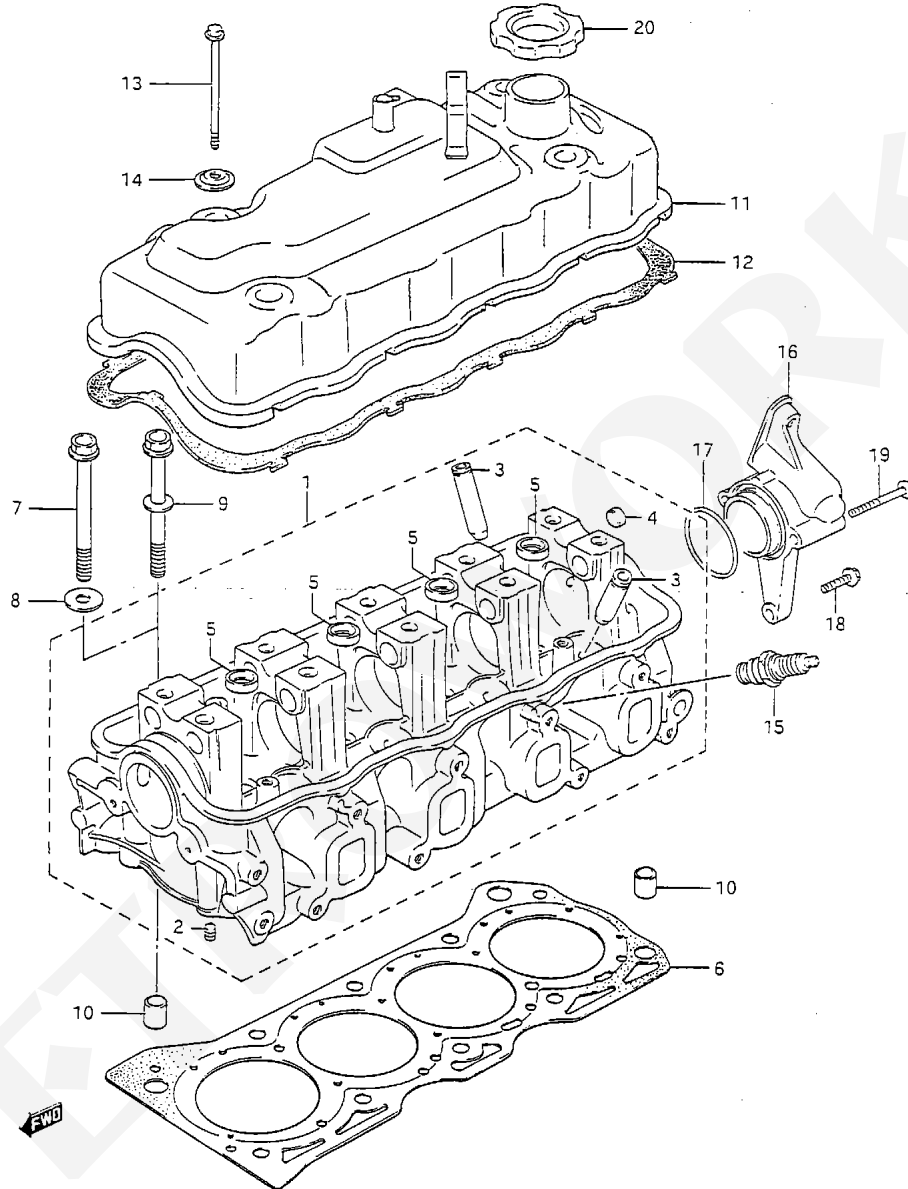


# Cylinder Head And Cover

## Figure 2

FIG.2



← FWD  
SAMURAI E33