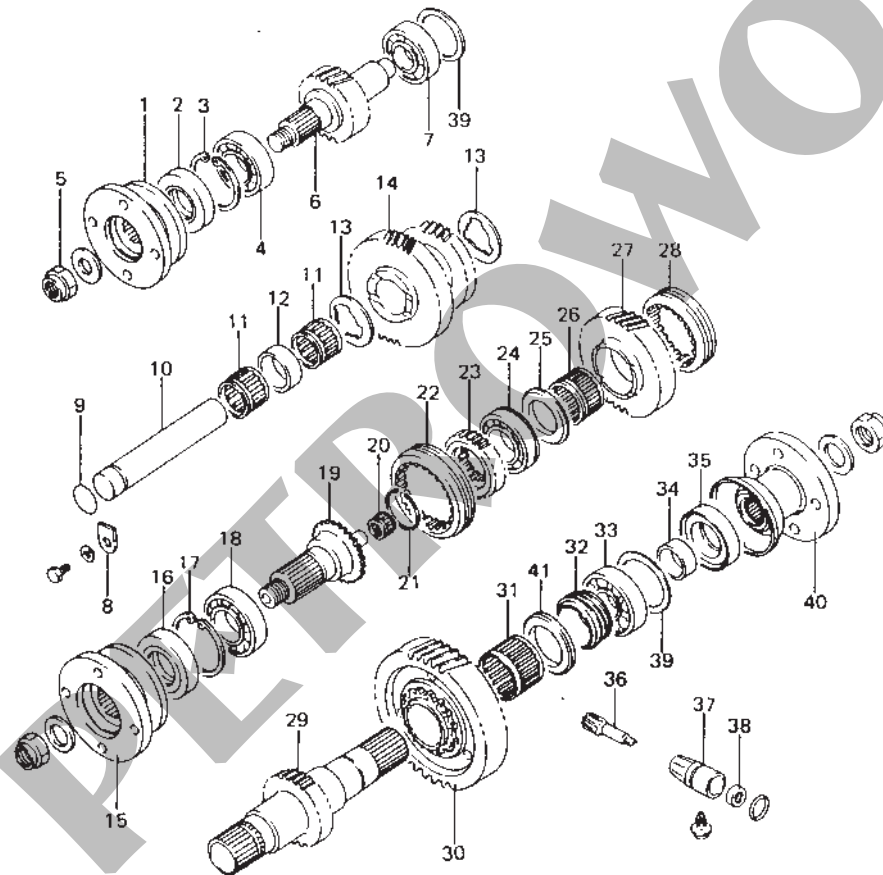




PETROWORKS

OFF-ROAD PRODUCTS

Transfer Case Breakdown



1. Flange
2. Oil seal
3. Circlip
4. Bearing
5. Nut
6. Input shaft
7. Bearing
8. Counter shaft lock plate
9. O-ring
10. Counter shaft
11. Bearing
12. Spacer
13. Thrust washer
14. Counter gear
15. Flange
16. Oil seal
17. Circlip
18. Bearing
19. Output front shaft
20. Bearing
21. Circlip
22. Sleeve
23. Hub
24. Bearing
25. Thrust washer
26. Bearing
27. Output low gear
28. Sleeve
29. Output rear shaft
30. Output low gear
31. Bearing
32. Speedometer drive gear
33. Bearing
34. Retainer
35. Oil seal
36. Speedometer driven gear
37. Speedometer gear case
38. Oil seal
39. Shim
40. Flange
41. Washer