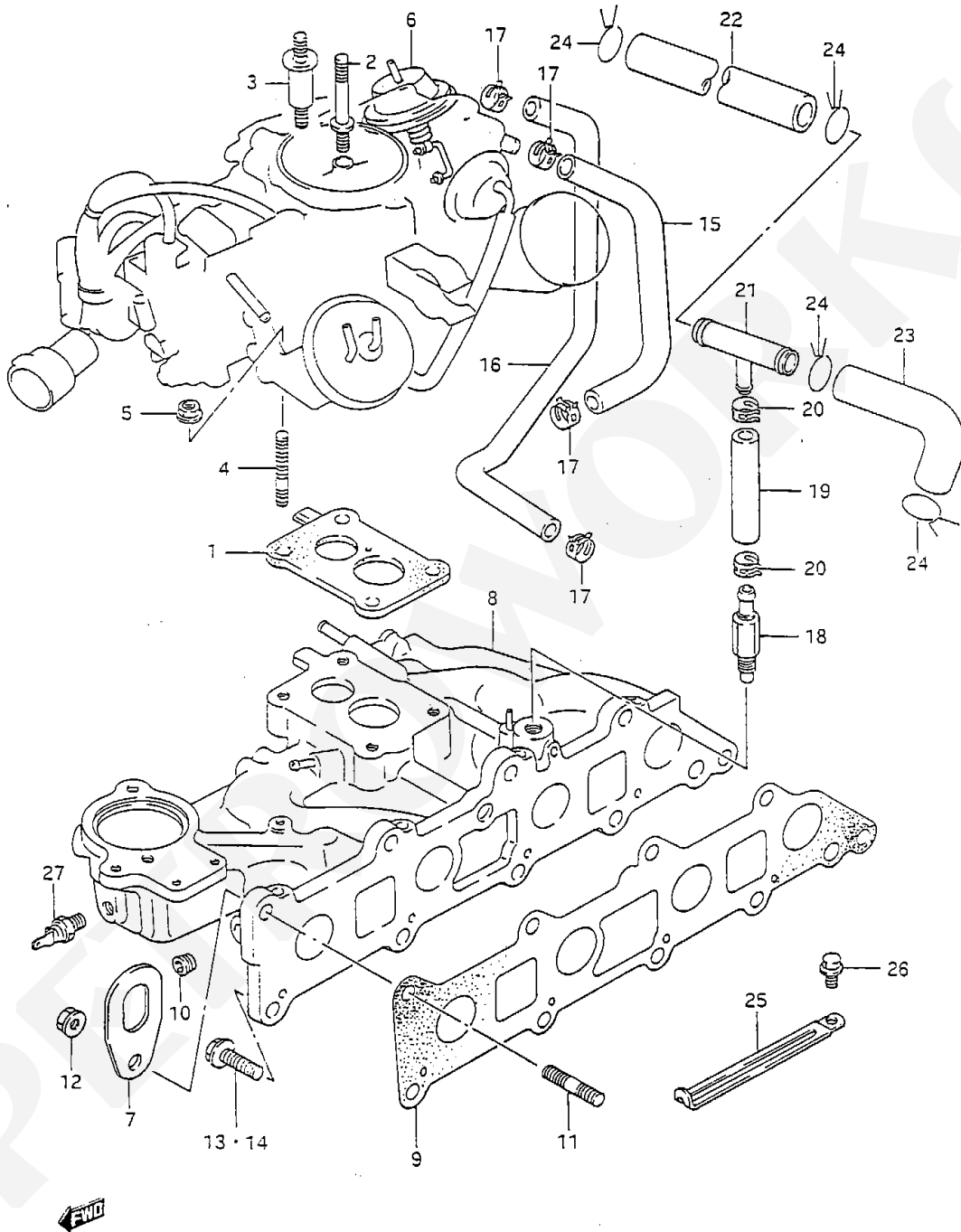


Intake Manifold

Figure 9



SAMURAI E33