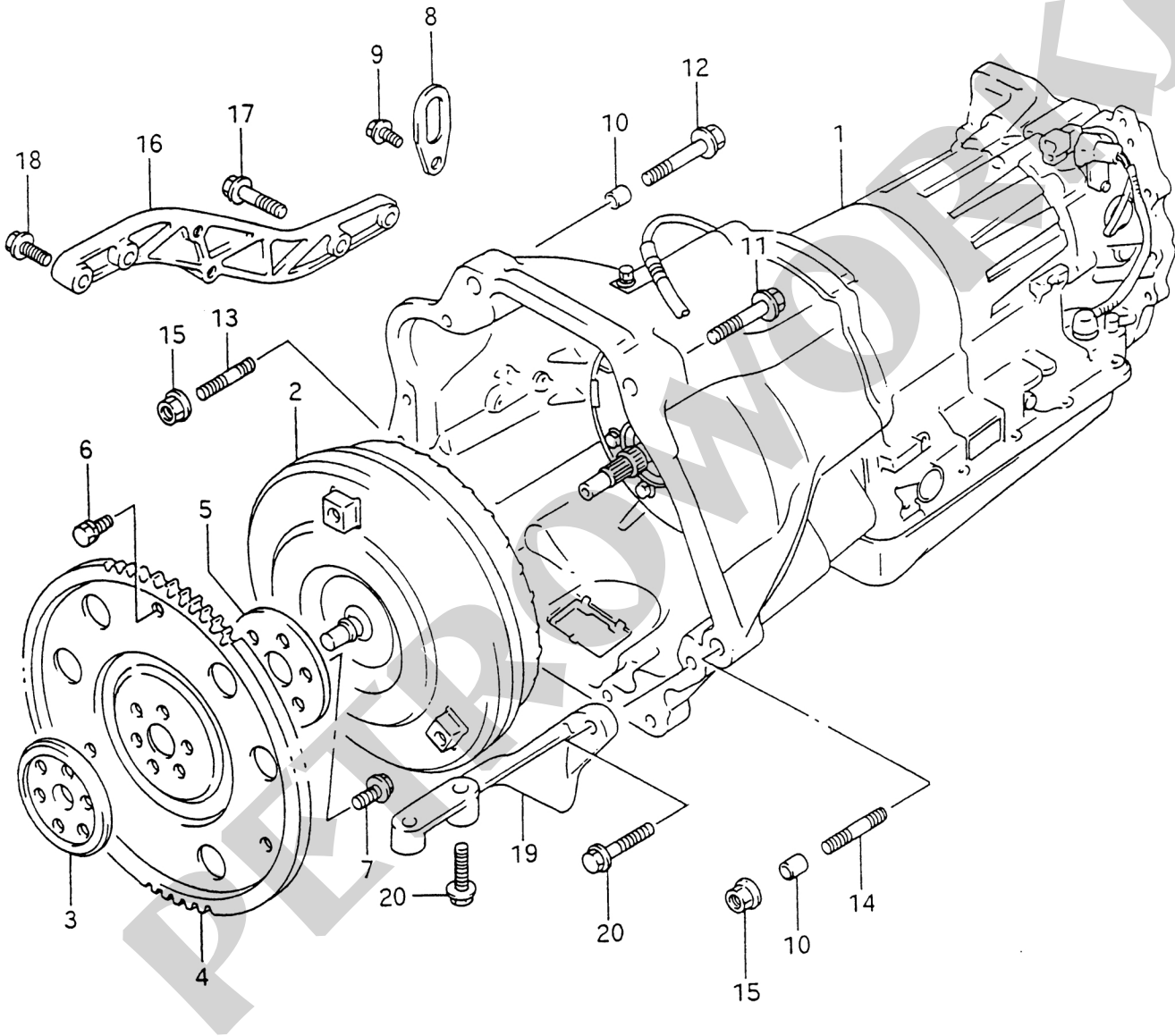


FIG.60

Automatic Transmission



← FWD